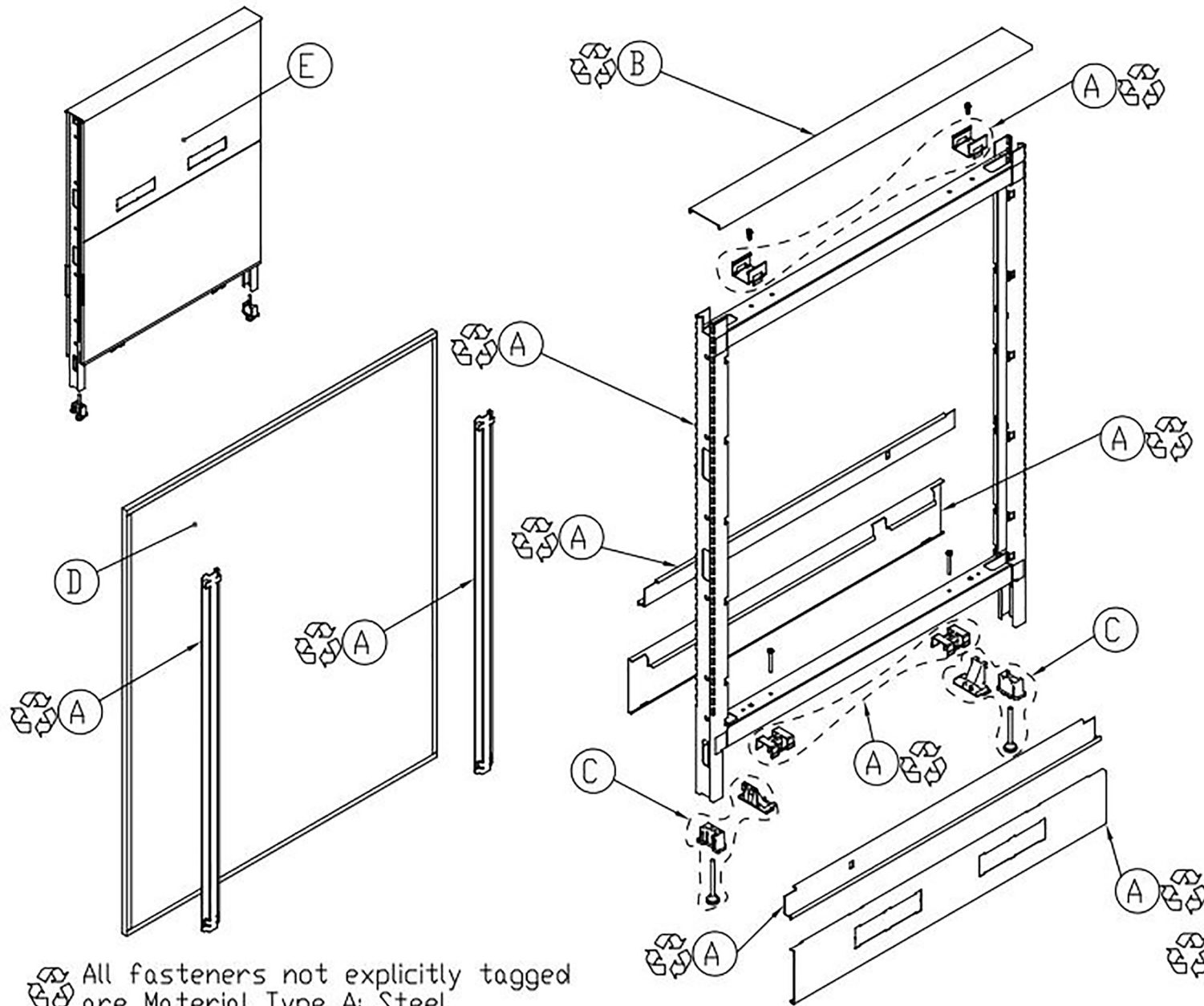


Disassembly Instructions

Legion Fabric Panel



Material Type: A-Steel B-Aluminum C-Plastic D-Fiberglass E-Fabric



Procedure:

1. Lift off the top cap followed by the tiles on each side of the frame.
2. Strip the tile stiffeners off the tile core for removal.
3. Pull open the base covers and lift them off. Lift off the tile support to remove them.
4. Remove the glides and base cover clips. Pry out the glide housings from the bottom of the vertical posts.

General Notes:

1. Disassembly time: 15-20 minutes
2. This procedure assumes basic familiarity with hand tools and furniture terminology; no specialized training is required
3. All materials removed and disassembled shall be sorted and segregated with like materials and disposed of or recycled according to recycling availability or waste acceptance
4. For product recycle content, contact CALPIA or visit our website at www.calpia.ca.gov.

Required Tools

