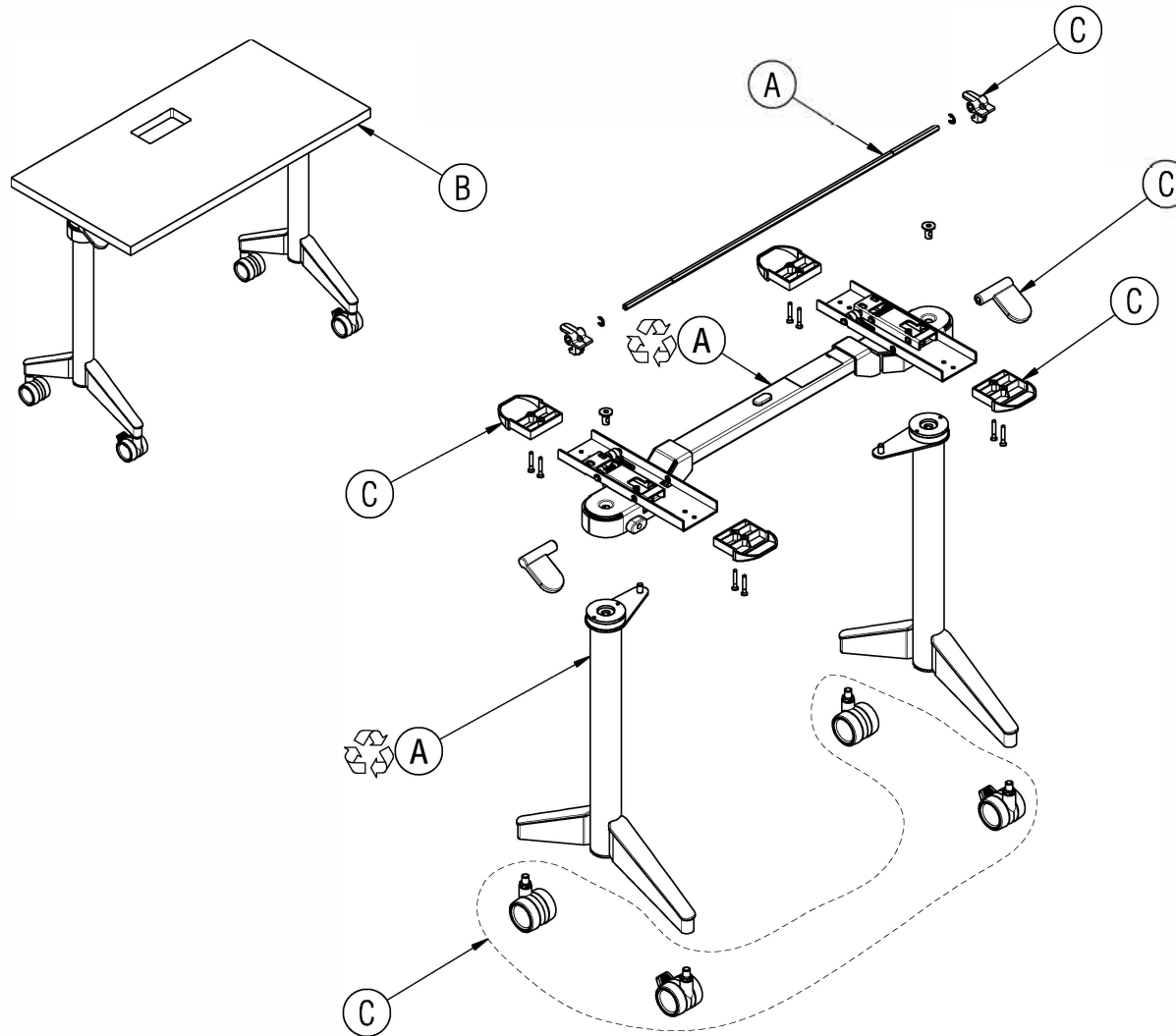


Disassembly Instructions



Nesting Flip Top Table

Material Type: A .Steel B. Wood C. Plastic



Procedure:

1. Remove the screws holding the legs to the table top and remove the top.
2. Remove the plastic casters from each leg.
3. Pry the table lock paddles off of both ends of the table lock bar.
4. Remove the lock rings from the lock bar and slide the catch hooks off the lock bar.
5. Remove the screws holding the horizontal table support to each leg.

 All fasteners not explicitly tagged or shown are Material Type A: Steel

General Notes:

1. Disassembly time: 20 - 30 minutes
2. This procedure assumes basic familiarity with hand tools and furniture terminology: no specialized training is required
3. All materials removed and disassembled shall be sorted and segregated with like materials and disposed of or recycled according to recycling availability or waste acceptance

 4. **For product recycle content, contact CALPIA or visit our website at www.calpia.ca.gov**

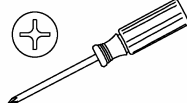
Required Tools



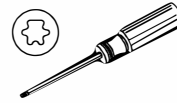
Gloves



Safety Glasses



Philips Screwdriver



Torx Screwdriver